

ONA + System 3R tooling

Ledger for Reference elements and 3Rulers

Older machines



This ledger is only to guide suitable length of reference elements and 3Ruler for specific machine model. Contents for 3Rulers and/or reference elements, see also TPS-sheets covering the range of 3R-200.yyJ-x, 3R-239-xxx and accessories.

ONA

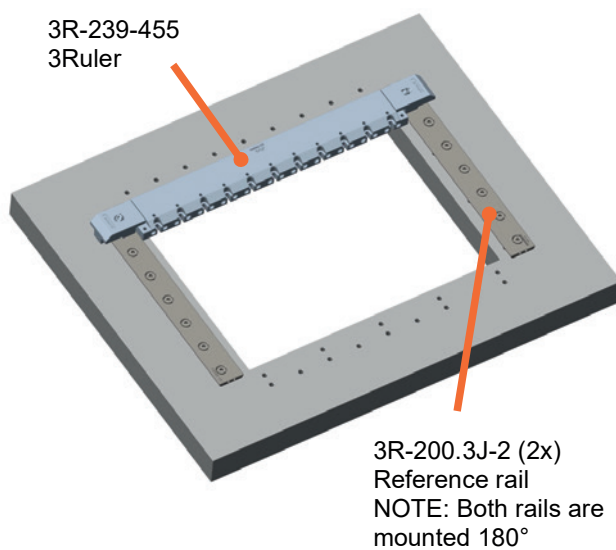
Model	Tooling configuration for X-axis		Tooling configuration for Y-axis		MIC-xxxx	
	Ref. element	3R-239-xxx	Ref. element	3R-239-xxx		
AE300	3R-200.3J-2	455	3R-200.4J-4	365	2946	Page: 3
AE400	3R-200.47J-2	675.86	3R-200.3J-2 + 3R-200.29J-2	N.a.	2947	Page: 4
AE600	3R-200.3J-1 + 3R-200.29J-1	865.86	3R-200.3J-1 + 3R-200.49J-1	665.86	2948	Page: 5
AX3	3R-200.3J-2	455	3R-200.4J-4	365	2946	Page: 3
AX4	3R-200.47J-2	675.86	3R-200.3J-2 + 3R-200.29J-2	N.a.	2947	Page: 4
AX6	3R-200.3J-1 + 3R-200.3J-4	875.86	3R-200.3J-4	N.a.	2932	Page: 6

MIC – Machine Interface Configuration

March 15, 2021

Subject to modifications
MIC-2946

ONA – AE300, AX3



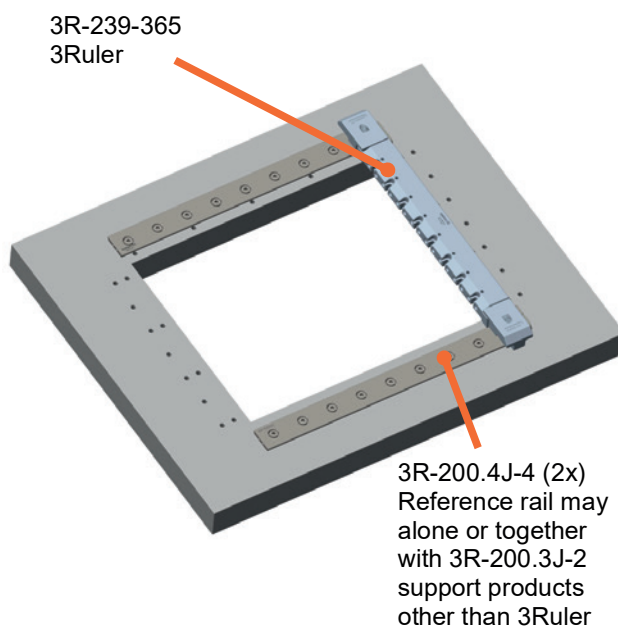
Machine table without tooling

Working area:
X: 400 mm
Y: 300 mm

Horizontal configuration

This configuration display one 3Ruler,
but two cross bars may be used.

Working area:
X: 400 mm
Y: 262 mm



Vertical configuration

This configuration display one 3Ruler,
but two cross bars may be used.

Working area:
X: 375 mm
Y: 300 mm

See also TPS-sheet "3R-239-xxx" covering
3Ruler and recommended accessories.

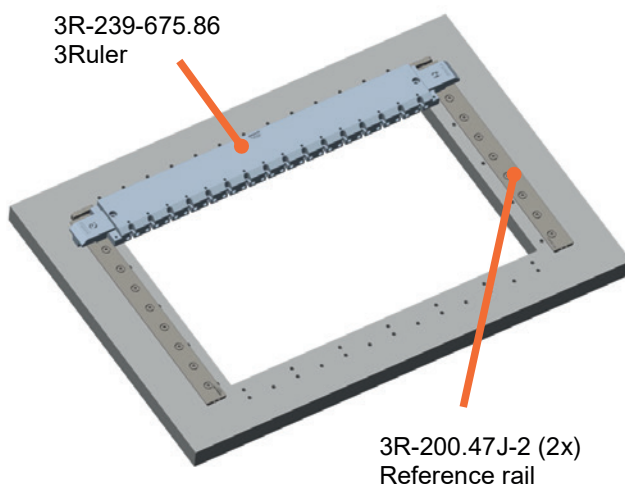
Note: The reference rail also enables the
use of other products like: 3R-218-S,
3R-243.2-1 or 3R-272HP.

MIC – Machine Interface Configuration

March 15, 2021

Subject to modifications
MIC-2947

ONA – AE400, AX4

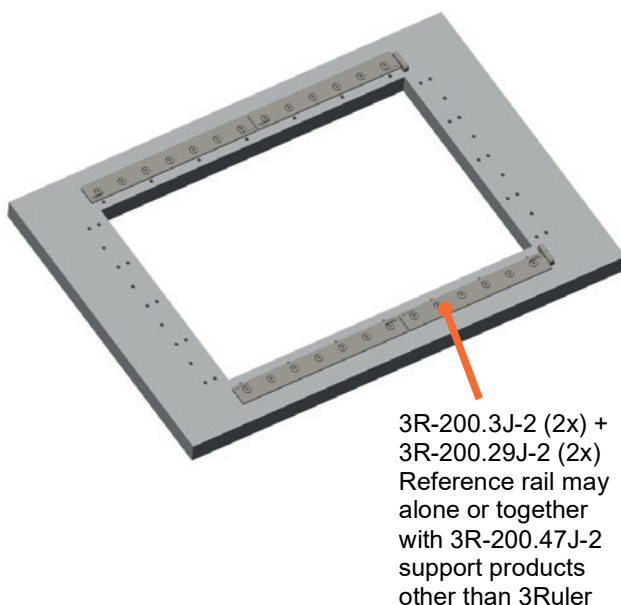


Machine table without tooling
Working area:
X: 600 mm
Y: 400 mm

Horizontal configuration

This configuration display one 3Ruler,
but two cross bars may be used.

Working area:
X: 600 mm
Y: 346 mm



Vertical configuration

This configuration display no 3Ruler.
There is no Ruler made available for
this configuration.

Working area:
X: 600 mm
Y: 400 mm

See also TPS-sheet “3R-239-xxx” covering
3Ruler and recommended accessories.

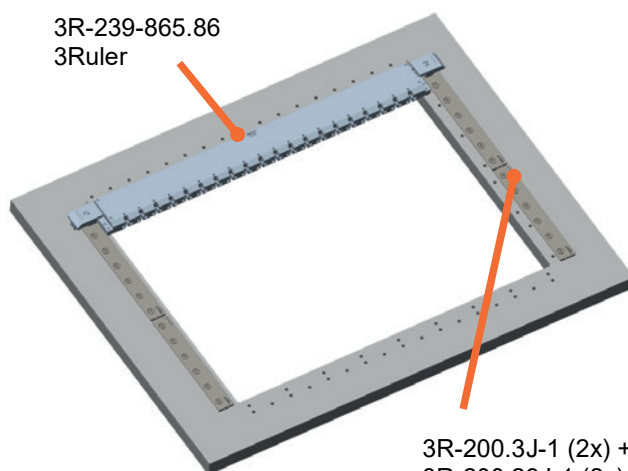
Note: The reference rail also enables the
use of other products like: 3R-218-S,
3R-243.2-1 or 3R-272HP.

MIC – Machine Interface Configuration

March 15, 2021

Subject to modifications
MIC-2948

ONA – AE600



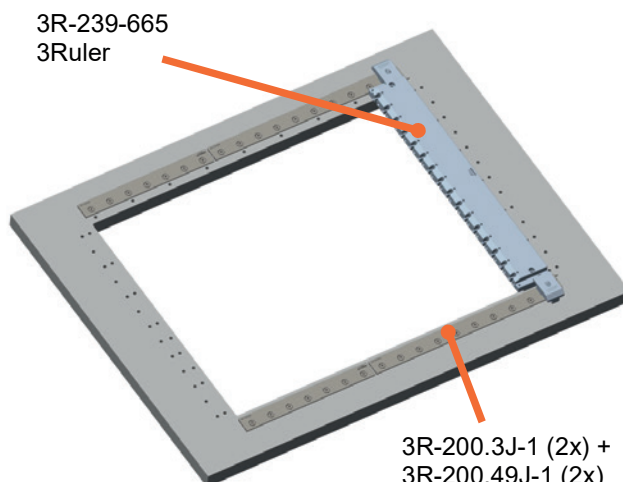
Machine table without tooling
Working area:
X: 800 mm
Y: 600 mm

Horizontal configuration

This configuration display one 3Ruler, but two cross bars may be used.

Working area:
X: 800 mm
Y: 539 mm

3R-200.3J-1 (2x) +
3R-200.29J-1 (2x)
Reference rail
NOTE: Both rails
on one side are
mounted 180°



Vertical configuration

This configuration display one 3Ruler, but two cross bars may be used.

Working area:
X: 736 mm
Y: 600 mm

3R-200.3J-1 (2x) +
3R-200.49J-1 (2x)
NOTE: Both rails on
one side are
mounted 180°

See also TPS-sheet "3R-239-xxx" covering 3Ruler and recommended accessories.

Note: The reference rail also enables the use of other products like: 3R-218-S, 3R-243.2-1 or 3R-272HP.

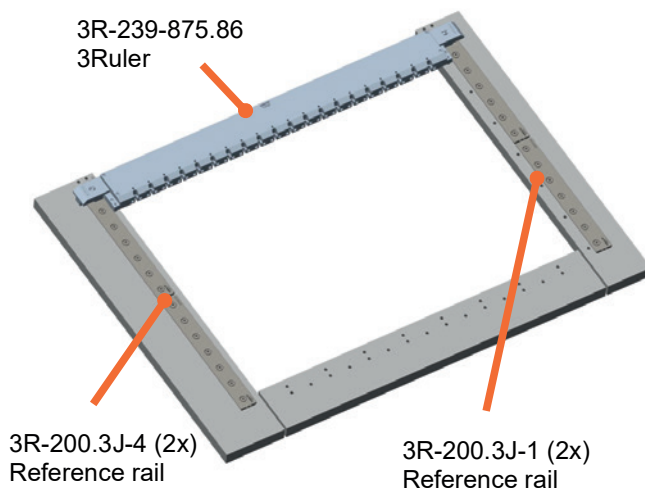
System 3R

MIC – Machine Interface Configuration

June 30, 2020

Subject to modifications
MIC-2932

ONA – AF60, AV60



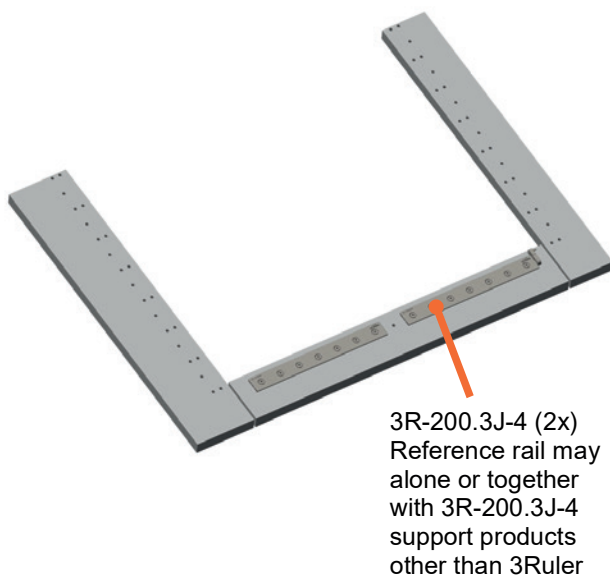
Machine table without tooling

Working area:
X: 800 mm
Y: 600 mm

Horizontal configuration

This configuration display one 3Ruler, but two cross bars may be used.

Working area:
X: 800 mm
Y: 560 mm



Vertical configuration

This U-shaped machine-table, does not support 3Ruler.

Working area:
X: 800 mm
Y: 600 mm

See also TPS-sheet "3R-239-xxx" covering 3Ruler and recommended accessories.

Note: The reference rail also enables the use of other products like: 3R-218-S, 3R-243.2-1 or 3R-272HP.

