

Mitsubishi wire EDM's + System 3R tooling

Ledger for

EconoRulers



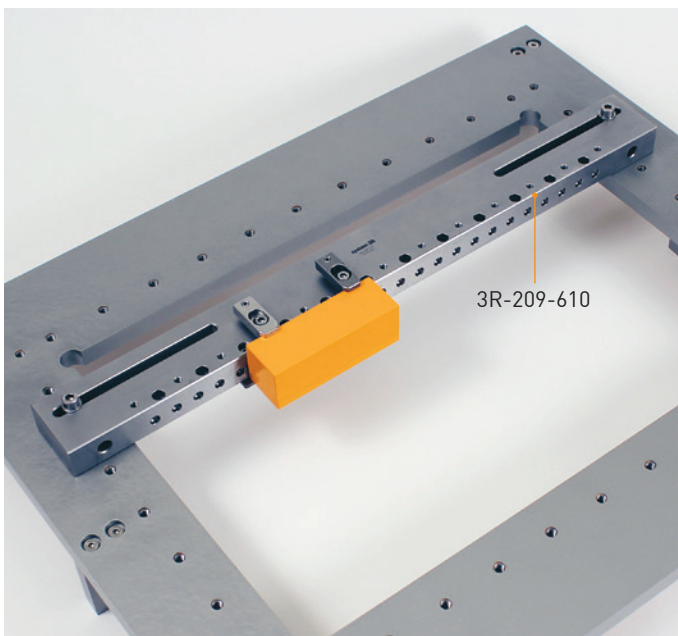
Mitsubishi

EconoRulers are supplied by kits. For more info, look for the various TPS-sheets covering the various 3R-209-xxx kits and accessories. The EconoRulers come by four different lengths: L=350, 610, 860 and 960 mm.

Model								
	c-c X	Table X	3R-209-xxx	Overhang X*	c-c Y	Table Y	3R-209-xxx	Overhang Y*
FA10-S Advance	430	590	610	10	330	514	350	-82
FA20-S Advance	580	780	610	-85	430	630	610	-10
FA30-S Advance	830	1110	860	-125	580	875	610	-132.5
FA40-S Advance	1080	1360	N.a.	N.a.	-	1175	N.a.	N.a.
FA50-S Advance	1390	1660	N.a.	N.a.	-	1375	N.a.	N.a.
MP1200	480	640	610	-15	380	540	610	35
MP2400	700	840	860	10	480	640	610	-15
MV1200R	480	640	610	-15	380	540	610	35
MV1200S	480	640	610	-15	-	450	N.a.	N.a.
MV2400R / R Z+	700	840	860	10	480	640	610	-15
MV2400S	680	840	860	10	-	560	N.a.	N.a.
MV2400S Z+	700	840	860	10	480	640	610	-15
MV4800R	880	1080	960	-60	680	900	860	-20
MV4800S	880	1080	960	-60	680	870	860	-5
MX600	380	560	610	25	280	485	350	-67.5
MX900	380	560	610	25	380	505	610	52.5

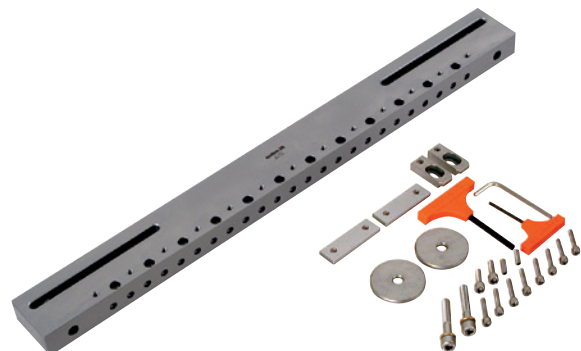
* Overhang means a stick-out of EconoRuler that may collide with tankwall (only valid if value is positive and box is colored orange). In order to solve this risk of collision, it may require the EconoRuler to be cut off.

** Dedicated bolt-slots will not match threaded hole-pattern. In order to secure EconoRuler, it requires the use of 3R-A209.



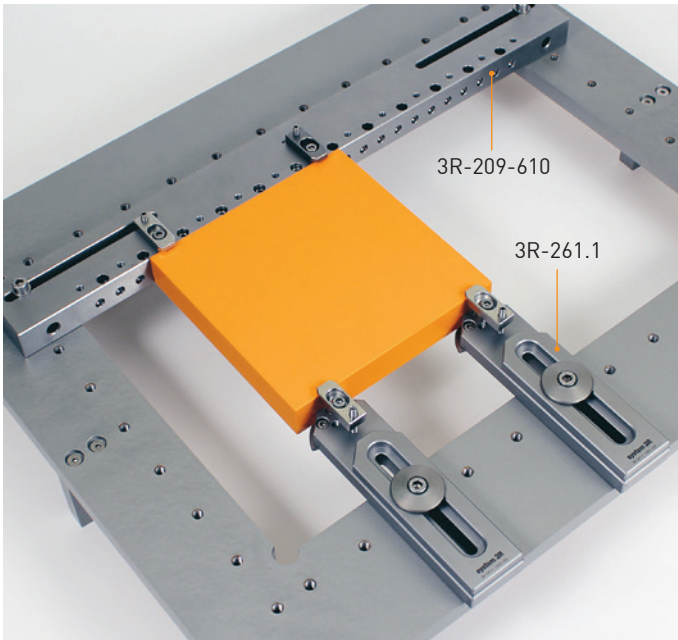
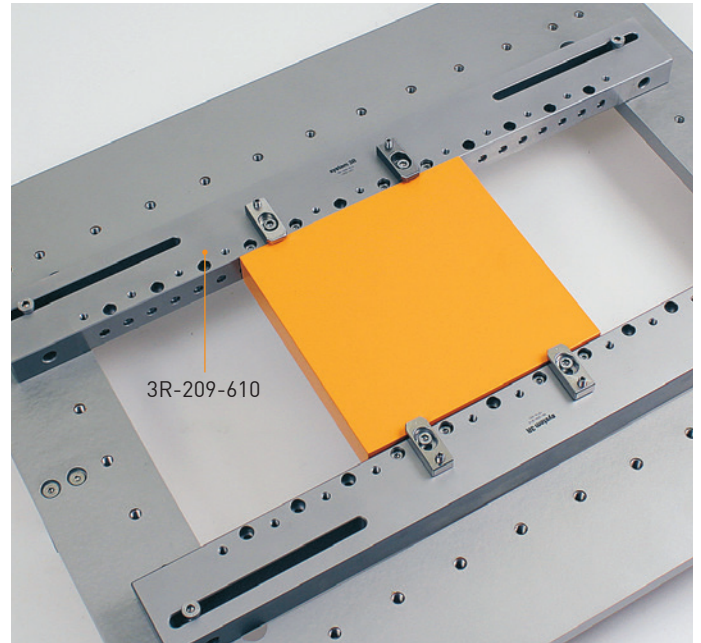
EconoRuler kit, 3R-209-XXX.1

Note: There are four different kits to choose between. 350 mm, 610 mm, 860 mm or 960 mm EconoRuler length.



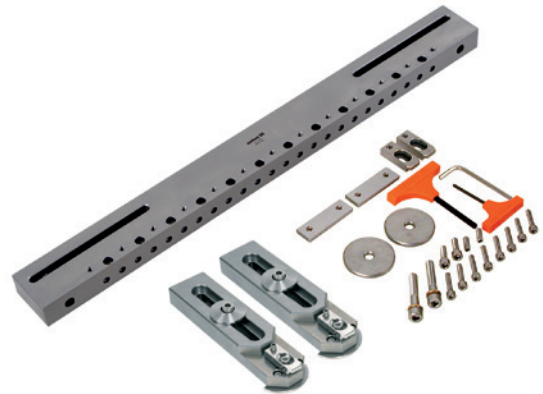
EconoRuler kit, 3R-209-XXX.2

Note: There are four different kits to choose between.
350 mm, 610 mm, 860 mm or 960 mm EconoRuler length.



EconoRuler kit, 3R-209-XXX.3

Note: There are four different kits to choose between.
350 mm, 610 mm, 860 mm or 960 mm EconoRuler length.



EconoRuler kit, 3R-209-XXX.4

Note: There are four different kits to choose between.
350 mm, 610 mm, 860 mm or 960 mm EconoRuler length.

