

Fanuc + System 3R tooling

Ledger for Reference elements and 3Rulers

Older machines



This ledger is only to guide suitable length of reference elements and 3Ruler for specific machine model. Contents for 3Rulers and/or reference elements, see also TPS-sheets covering the range of 3R-200.yyJ-x, 3R-239-xxx and accessories.

Fanuc

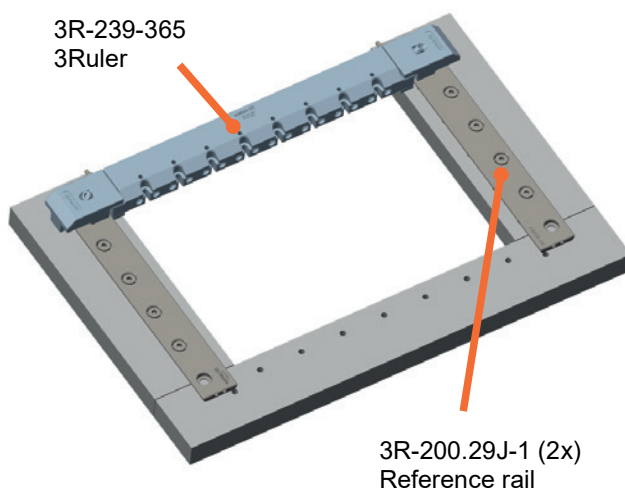
Model	Tooling configuration for X-axis		Tooling configuration for Y-axis		MIC-xxxx	
	Ref. element	3R-239-xxx	Ref. element	3R-239-xxx		
alpha 0iA	3R-200.29J-1	365	-	-	2964	Page: 3
alpha 0iB	3R-200.29J-1	365	-	-	2964	Page: 3
alpha 0iC	3R-200.29J-1	365	-	-	2964	Page: 3
alpha 0iD	3R-200.29J-1	415	-	-	2965	Page: 4
alpha 0iDP	3R-200.29J-1	415	-	-	2965	Page: 4
alpha 0iE	3R-200.29J-1	415	-	-	2965	Page: 4
alpha 0iP	3R-200.29J-1	365	-	-	2964	Page: 3
alpha 1iA	3R-200.4J-2	565	3R-200.2J-2 + 3R-200.3J-2	415	2966	Page: 5
alpha 1iB	3R-200.4J-2	595	3R-200.2J-2 + 3R-200.3J-2	415	2967	Page: 6
alpha 1iC	3R-200.4J-2	595	3R-200.2J-2 + 3R-200.3J-2	415	2967	Page: 6
alpha 1iD	3R-200.4J-2	645	3R-200.5J-2	445	2968	Page: 7
alpha 1iDP	3R-200.4J-2	645	3R-200.5J-2	445	2968	Page: 7
alpha 1iE	3R-200.4J-2	645	3R-200.5J-2	445	2968	Page: 7

MIC – Machine Interface Configuration

June 10, 2021

Subject to modifications
MIC-2964

Fanuc – alpha 0iA, 0iB, 0iC, 0iP



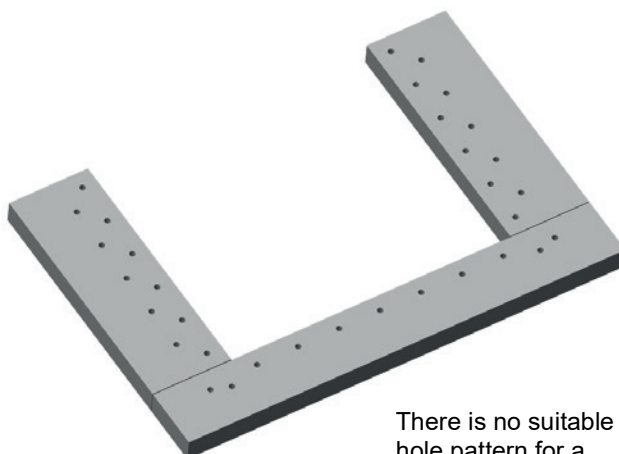
Machine table without tooling

Working area:
X: 320 mm
Y: 220 mm

Horizontal configuration

This configuration display one 3Ruler, but two cross bars may be used.

Working area:
X: 320 mm
Y: 212 mm



Vertical configuration

This U-shaped machine-table, does not support 3Ruler.

Working area:
X: 320 mm
Y: 220 mm

See also TPS-sheet "3R-239-xxx" covering 3Ruler and recommended accessories.

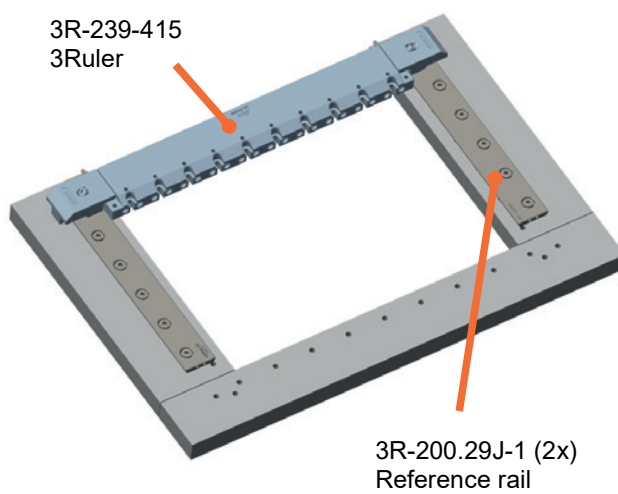
Note: The reference rail also enables the use of other products like: 3R-243.2-1 or 3R-272HP.

MIC – Machine Interface Configuration

June 10, 2021

Subject to modifications
MIC-2965

Fanuc – alpha 0iD, 0iDP, 0iE



Machine table without tooling

Working area:

X: 370 mm

Y: 270 mm

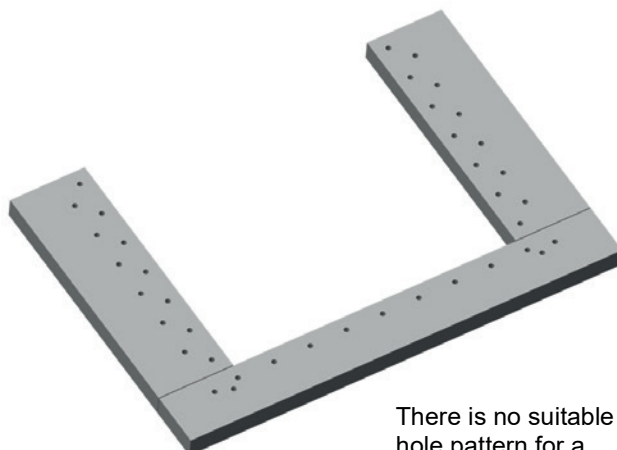
Horizontal configuration

This configuration display one 3Ruler, but two cross bars may be used.

Working area:

X: 370 mm

Y: 247 mm



There is no suitable hole pattern for a reference rail.

Vertical configuration

This U-shaped machine-table, does not support 3Ruler.

Working area:

X: 370 mm

Y: 270 mm

See also TPS-sheet “3R-239-xxx” covering 3Ruler and recommended accessories.

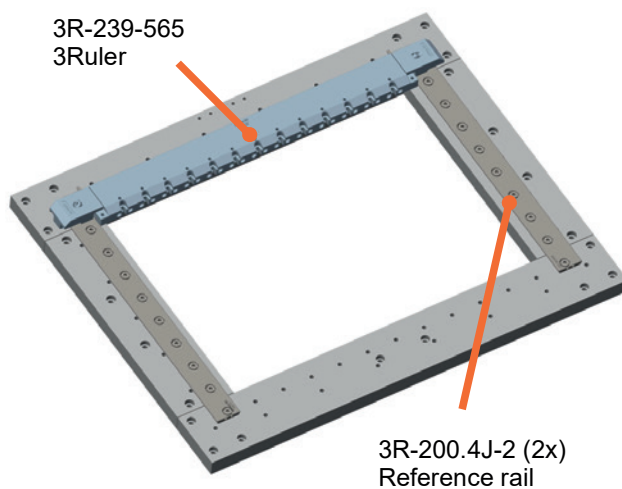
Note: The reference rail also enables the use of other products like: 3R-243.2-1 or 3R-272HP.

MIC – Machine Interface Configuration

June 10, 2021

Subject to modifications
MIC-2966

Fanuc – alpha 1iA



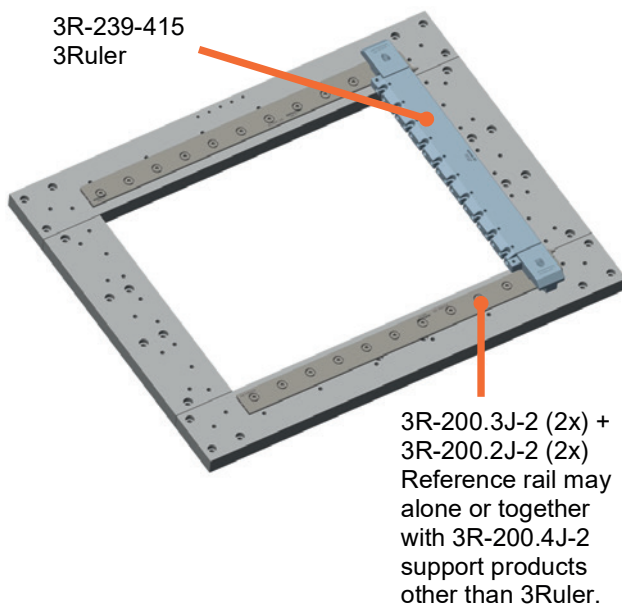
Machine table without tooling

Working area:
X: 520 mm
Y: 370 mm

Horizontal configuration

This configuration display one 3Ruler, but two cross bars may be used.

Working area:
X: 520 mm
Y: 360 mm



Vertical configuration

This configuration display one 3Ruler, but two cross bars may be used.

Working area:
X: 479 mm
Y: 370 mm

See also TPS-sheet "3R-239-xxx" covering 3Ruler and recommended accessories.

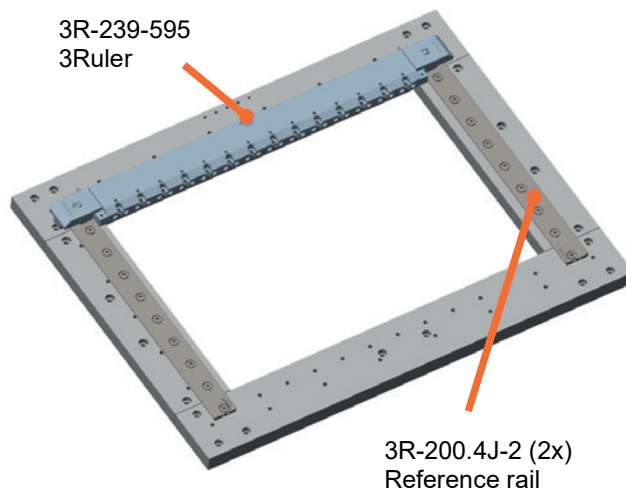
Note: The reference rail also enables the use of other products like: 3R-218-S, 3R-243.2-1 or 3R-272HP.

MIC – Machine Interface Configuration

June 10, 2021

Subject to modifications
MIC-2967

Fanuc – alpha 1iB, 1iC



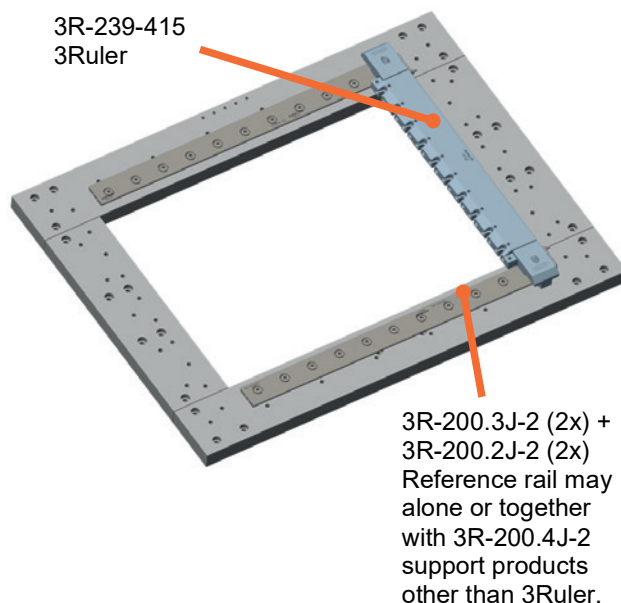
Machine table without tooling

Working area:
X: 550 mm
Y: 370 mm

Horizontal configuration

This configuration display one 3Ruler, but two cross bars may be used.

Working area:
X: 550 mm
Y: 360 mm



Vertical configuration

This configuration display one 3Ruler, but two cross bars may be used.

Working area:
X: 494 mm
Y: 370 mm

See also TPS-sheet “3R-239-xxx” covering 3Ruler and recommended accessories.

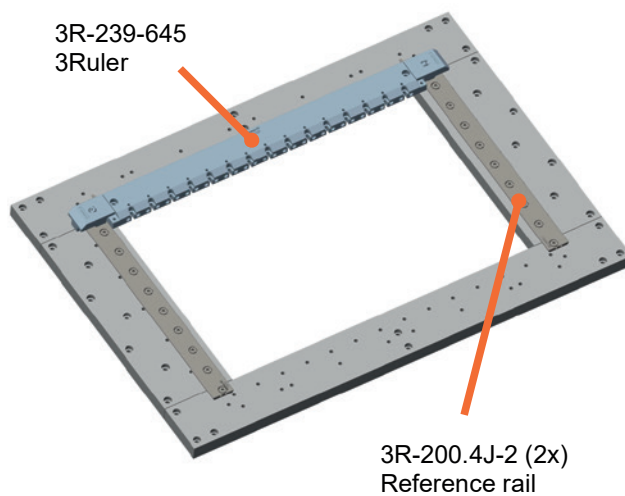
Note: The reference rail also enables the use of other products like: 3R-218-S, 3R-243.2-1 or 3R-272HP.

MIC – Machine Interface Configuration

June 10, 2021

Subject to modifications
MIC-2968

Fanuc – alpha 1iD, 1iDP, 1iE



Machine table without tooling

Working area:

X: 600 mm

Y: 400 mm

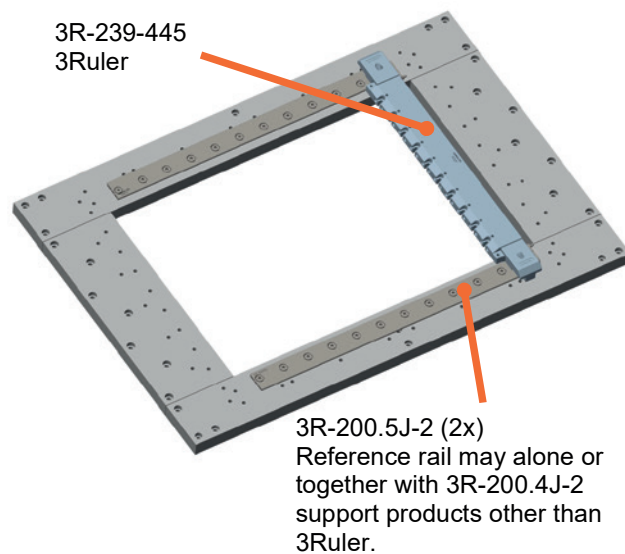
Horizontal configuration

This configuration display one 3Ruler, but two cross bars may be used.

Working area:

X: 600 mm

Y: 375 mm



Vertical configuration

This configuration display one 3Ruler, but two cross bars may be used.

Working area:

X: 525 mm

Y: 400 mm

If apply 3R-200.3J-2 (4x), working area may be extended for X: 687 mm.

See also TPS-sheet "3R-239-xxx" covering 3Ruler and recommended accessories.

Note: The reference rail also enables the use of other products like: 3R-218-S, 3R-243.2-1 or 3R-272HP.

