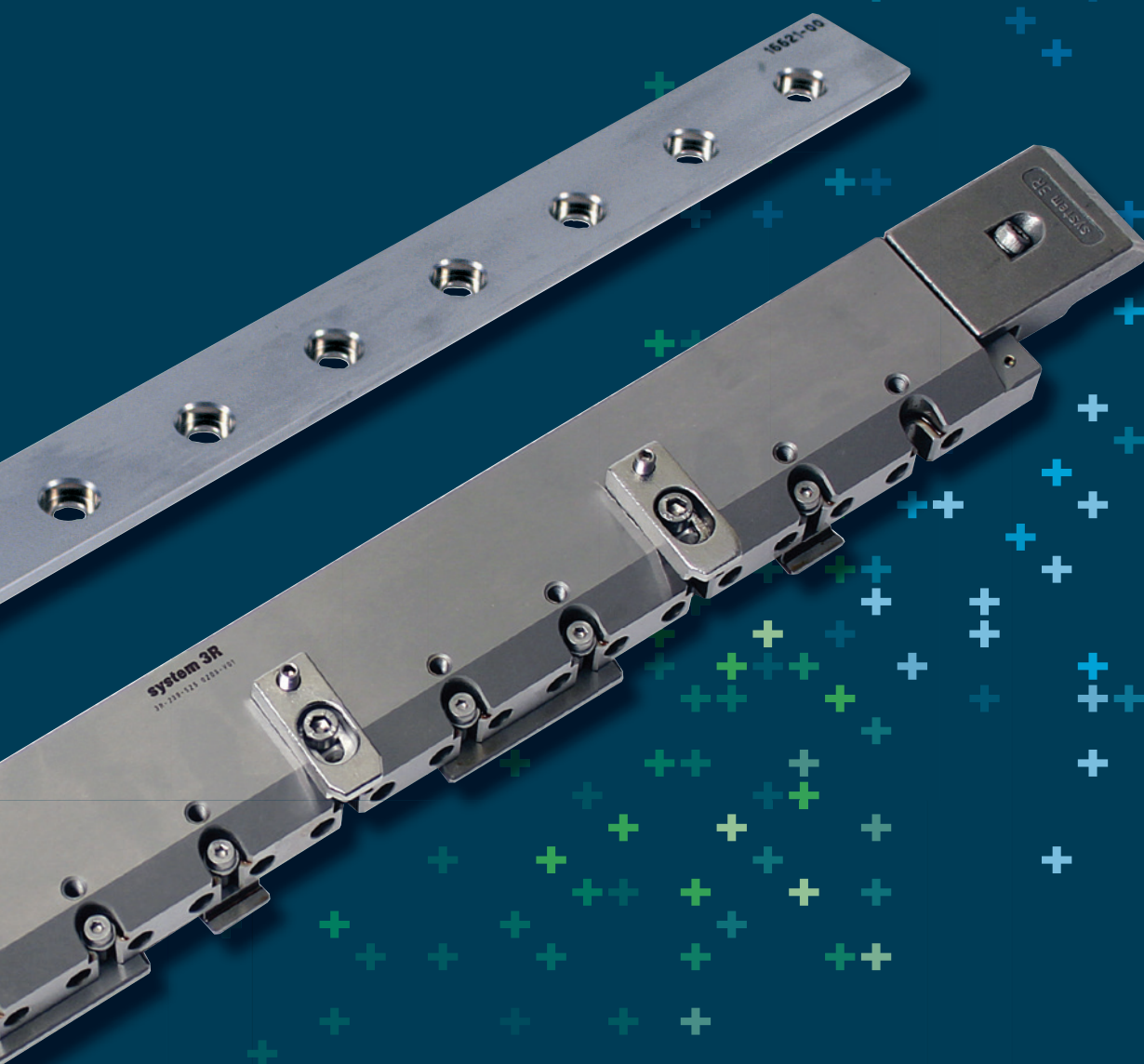


AgieCharmilles wire EDM's + System 3R tooling

Ledger for Reference elements and 3Rulers



This ledger is only to guide suitable length of reference elements and 3Ruler for specific machine model. Contents for 3Rulers and/or reference elements, see also TPS-sheets covering the range of 3R-200.yyJ-x, 3R-239-xxx and accessories.

AgieCharmilles

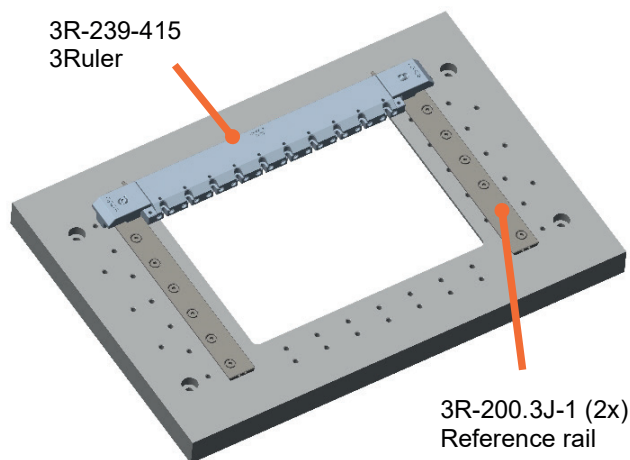
Model	Tooling configuration for X-axis		Tooling configuration for Y-axis		MIC-xxx	
	Ref. element	3R-239-xxx	Ref. element	3R-239-xxx		
CUT 20P	3R-200.3J-1	415	3R-200.3J-1	315	2800	Page: 3
CUT 30P (yr 2012-)	3R-200.47J-2	675.86	3R-200.3J-2 + 3R-200.29J-2	495	2801	Page: 4
CUT 200 (yr 2012-)	3R-200.3J-1	415	3R-200.3J-1	310	2806	Page: 5
CUT 200 Bp	3R-200.3J-1	415	3R-200.3J-1	310	2802	Page: 6
CUT 200 C / P	3R-200.3J-1	415	3R-200.3J-1	310	2806	Page: 5
CUT 200 mS / Sp	3R-200.3J-1	415	3R-200.3J-1	310	2802	Page: 6
CUT 300 (yr 2012-)	3R-200.44J-1	615	3R-200.6J-1	415	2807	Page: 7
CUT 300 mS / Sp	3R-200.44J-1	615	3R-200.6J-1	415	2803	Page: 8
CUT 400 (yr 2012-)	3R-200.6J-1	865.86	3R-200.3J-1 + 3R-200.4J-1	615	2808	Page: 9
CUT 400 Sp	3R-200.6J-1	865.86	3R-200.3J-1 + 3R-200.4J-1	615	2808	Page: 9
CUT 1000 (yr 2000-)	3R-200.4J-STD	275	3R-200.4J-STD	N.a.	2809	Page: 10
CUT 2000 / S / X (yr 2011-)	3R-200.5J-STD	425	3R-200.5J-71	330	2810	Page: 11
CUT 3000 / S / X (yr 2011-)	3R-200.6J-STD	575	3R-200.5J-2	435	2811	Page: 12
CUT C 350	3R-200.3J-1	415	3R-200.3J-1	315	2800	Page: 3
CUT C 600	3R-200.47J-2	675.86	3R-200.3J-2 + 3R-200.29J-2	495	2801	Page: 4
CUT E 350	3R-200.3J-1	415	3R-200.3J-1	315	2800	Page: 3
CUT E 600	3R-200.47J-2	675.86	3R-200.3J-2 + 3R-200.29J-2	495	2801	Page: 4
CUT P 350	3R-200.3J-1	415	3R-200.3J-1	310	2802	Page: 6
CUT P 550	3R-200.44J-1	615	3R-200.6J-1	415	2803	Page: 8
CUT P 800	3R-200.6J-1	865.86	3R-200.3J-1 + 3R-200.4J-1	615	2804	Page: 13
CUT P 800 L Flushing	3R-200.6J-1	865.86	3R-200.3J-1 + 3R-200.4J-1	615	2804	Page:13
CUT P 1250	3R-200.4J-1	N.a.	3R-200.6J-1	915.86	2805	Page: 14
CUT X 350	3R-200.5J-STD	425	3R-200.5J-71	330	2951	Page: 15
CUT X 500	3R-200.6J-STD	575	3R-200.5J-2	435	2952	Page: 16

MIC – Machine Interface Configuration

December 17, 2019

Subject to modifications
MIC-2800

AgieCharmilles – CUT 20P, C350, E350



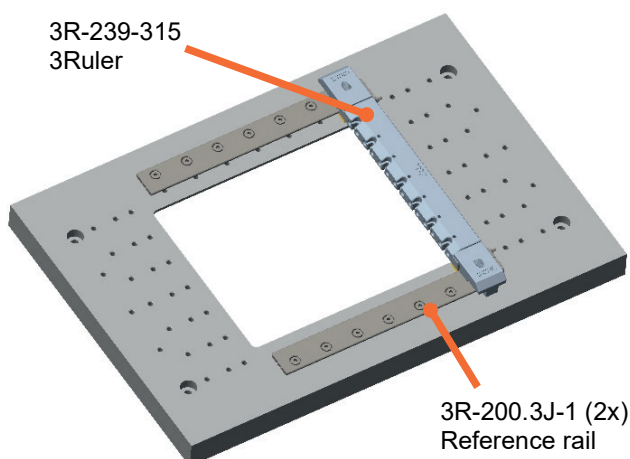
Machine table without tooling

Working area:
X: 350 mm
Y: 250 mm

Horizontal configuration

This configuration display one 3Ruler, but two cross bars may be used.

Working area:
X: 350 mm
Y: 237 mm



Vertical configuration

This configuration display one 3Ruler, but two cross bars may be used.

Working area:
X: 312 mm
Y: 250 mm

See also TPS-sheet "3R-239-xxx" covering 3Ruler and recommended accessories.

Note: The reference rail also enables the use of other products like: 3R-218-S, 3R-243.2-1 or 3R-272HP.

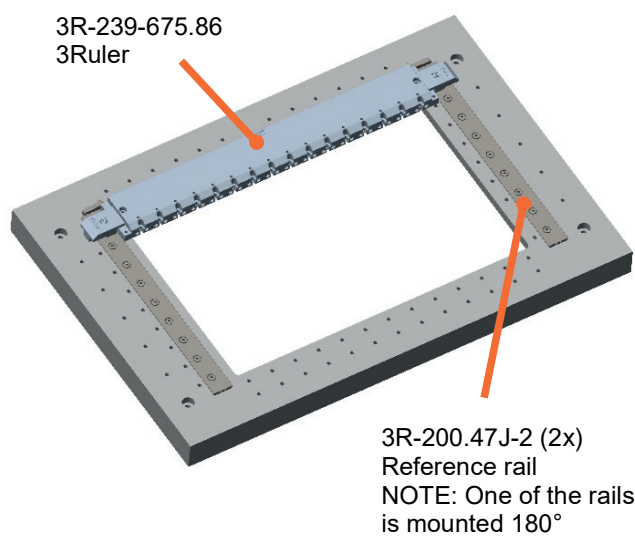
MIC – Machine Interface Configuration

January 25, 2021

Subject to modifications
MIC-2801

AgieCharmilles – CUT 30P, C600, E600

Configuration for CUT 30P, is valid year 2012 and later.



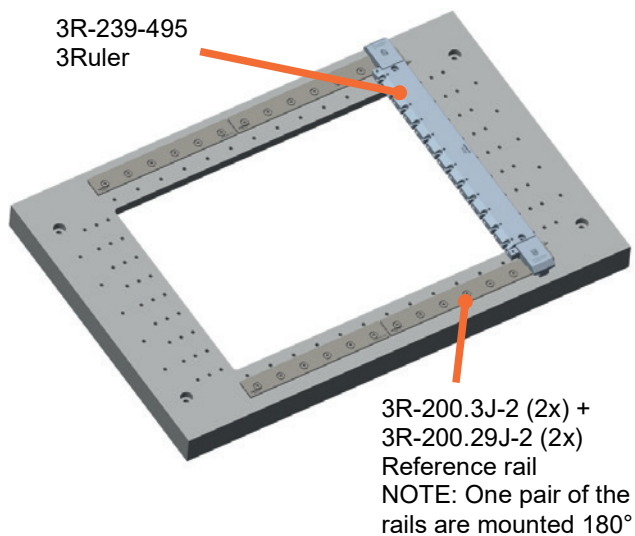
Machine table without tooling

Working area:
X: 600 mm
Y: 400 mm

Horizontal configuration

This configuration display one 3Ruler,
but two cross bars may be used.

Working area:
X: 600 mm
Y: 349 mm



Vertical configuration

This configuration display one 3Ruler,
but two cross bars may be used.

Working area:
X: 562 mm
Y: 400 mm

See also TPS-sheet "3R-239-xxx" covering
3Ruler and recommended accessories.

Note: The reference rail also enables the
use of other products like: 3R-218-S,
3R-243.2-1 or 3R-272HP.

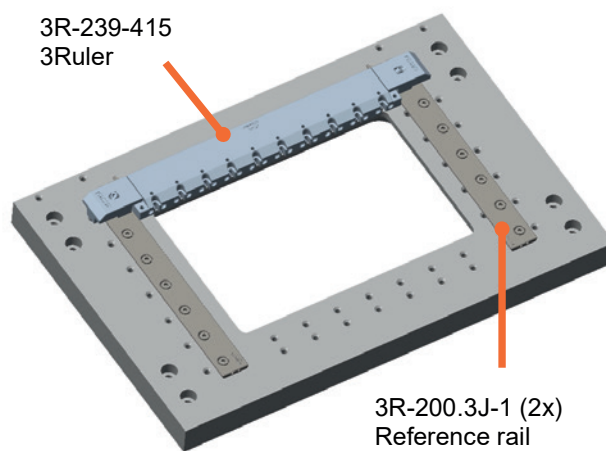
MIC – Machine Interface Configuration

February 23, 2021

Subject to modifications
MIC-2806

AgieCharmilles – CUT 200 C / P

Configuration for CUT 200, is valid year 2012 and later.



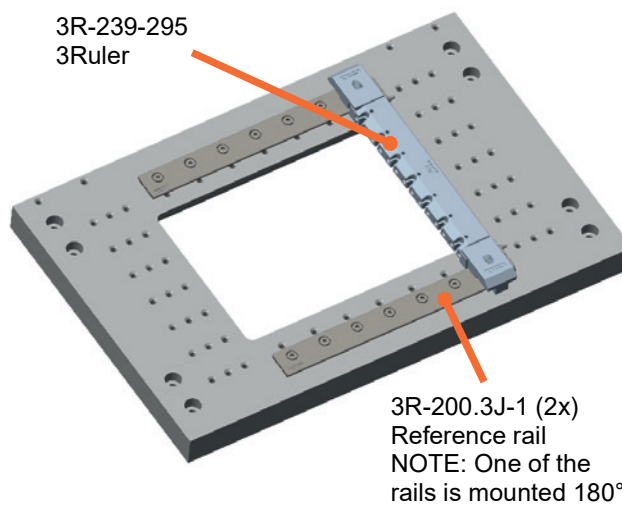
Machine table without tooling

Working area:
X: 350 mm
Y: 220 mm

Horizontal configuration

This configuration display one 3Ruler, but two cross bars may be used.

Working area:
X: 350 mm
Y: 220 mm



Vertical configuration

This configuration display one 3Ruler, but two cross bars may be used.

Working area:
X: 302 mm
Y: 220 mm

See also TPS-sheet "3R-239-xxx" covering 3Ruler and recommended accessories.

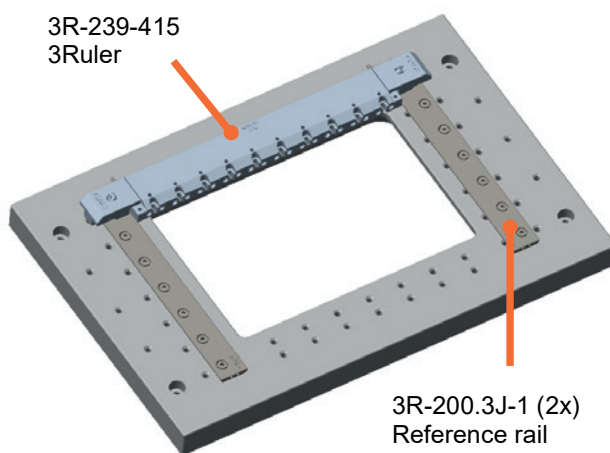
Note: The reference rail also enables the use of other products like: 3R-218-S, 3R-243.2-1 or 3R-272HP.

MIC – Machine Interface Configuration

February 23, 2021

Subject to modifications
MIC-2802

AgieCharmilles – CUT 200 Bp / mS / Sp, P350



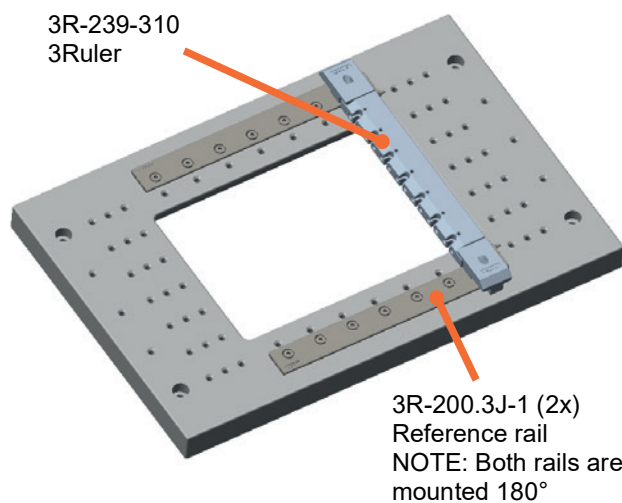
Machine table without tooling

Working area:
X: 350 mm
Y: 220 mm

Horizontal configuration

This configuration display one 3Ruler,
but two cross bars may be used.

Working area:
X: 350 mm
Y: 220 mm



Vertical configuration

This configuration display one 3Ruler,
but two cross bars may be used.

Working area:
X: 303 mm
Y: 220 mm

See also TPS-sheet "3R-239-xxx" covering
3Ruler and recommended accessories.

Note: The reference rail also enables the
use of other products like: 3R-218-S,
3R-243.2-1 or 3R-272HP.

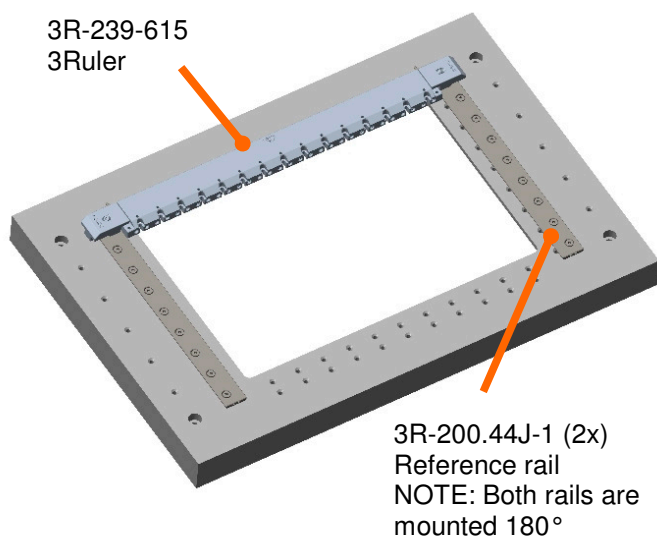
MIC – Machine Interface Configuration

November 11, 2018

Subject to modifications
MIC-2807

AgieCharmilles – CUT 300

Configuration for CUT 300, is valid year 2012 and later.



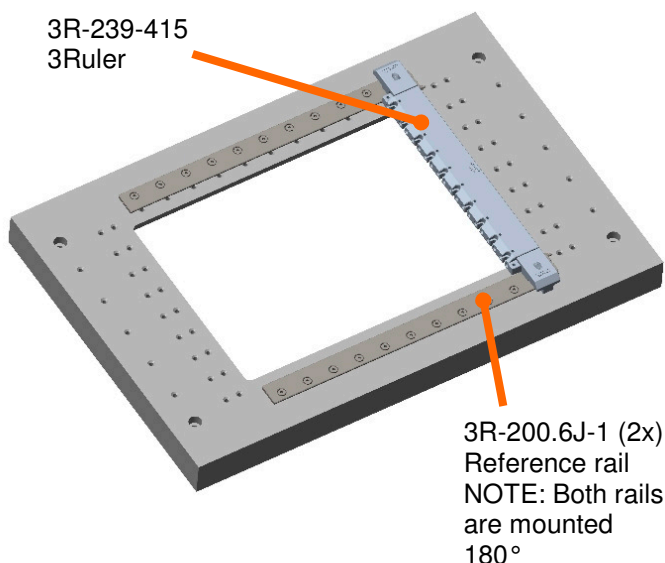
Machine table without tooling

Working area:
X: 550 mm
Y: 350 mm

Horizontal configuration

This configuration display one 3Ruler, but two cross bars may be used.

Working area:
X: 550 mm
Y: 337 mm



Vertical configuration

This configuration display one 3Ruler, but two cross bars may be used.

Working area:
X: 487 mm
Y: 350 mm

See also TPS-sheet "3R-239-xxx" covering 3Ruler and recommended accessories.

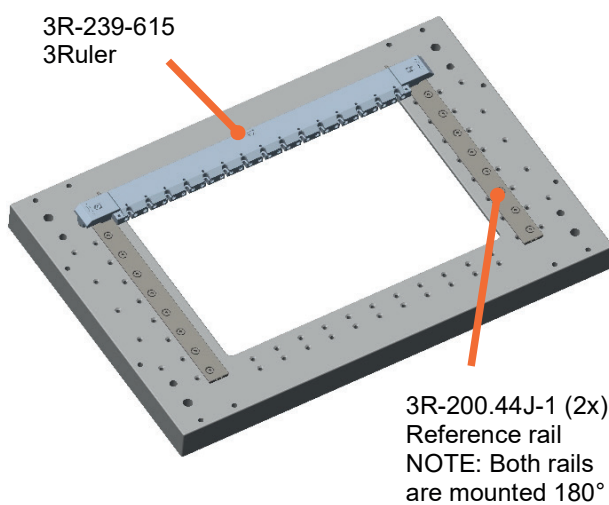
Note: The reference rail also enables the use of other products like: 3R-218-S, 3R-243.2-1 or 3R-272HP.

MIC – Machine Interface Configuration

February 23, 2021

Subject to modifications
MIC-2803

AgieCharmilles – CUT 300 mS / Sp, P550



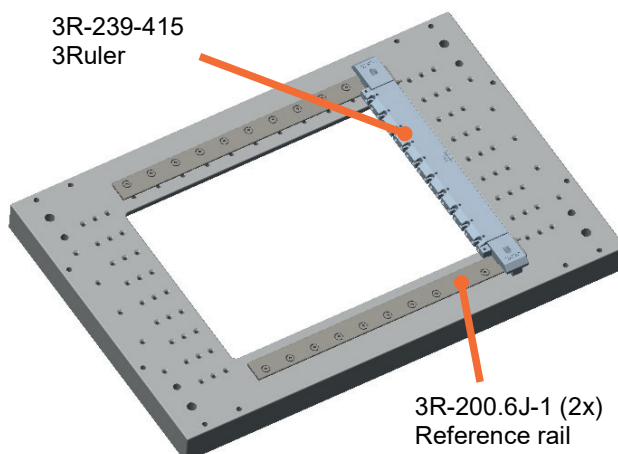
Machine table without tooling

Working area:
X: 550 mm
Y: 350 mm

Horizontal configuration

This configuration display one 3Ruler,
but two cross bars may be used.

Working area:
X: 550 mm
Y: 337 mm



Vertical configuration

This configuration display one 3Ruler,
but two cross bars may be used.

Working area:
X: 487 mm
Y: 350 mm

See also TPS-sheet "3R-239-xxx" covering
3Ruler and recommended accessories.

Note: The reference rail also enables the
use of other products like: 3R-218-S,
3R-243.2-1 or 3R-272HP.

System 3R

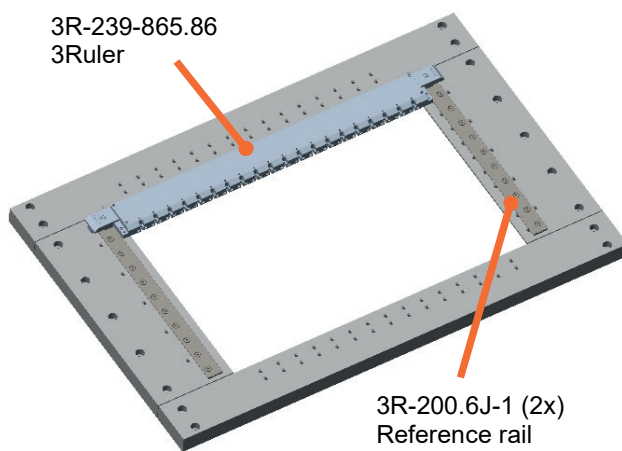
MIC – Machine Interface Configuration

February 23, 2021

Subject to modifications
MIC-2808

AgieCharmilles – CUT 400, CUT 400 Sp

Configuration for CUT 400, is valid year 2012 and later.



Machine table without tooling

Working area:

X: 800 mm

Y: 550 mm

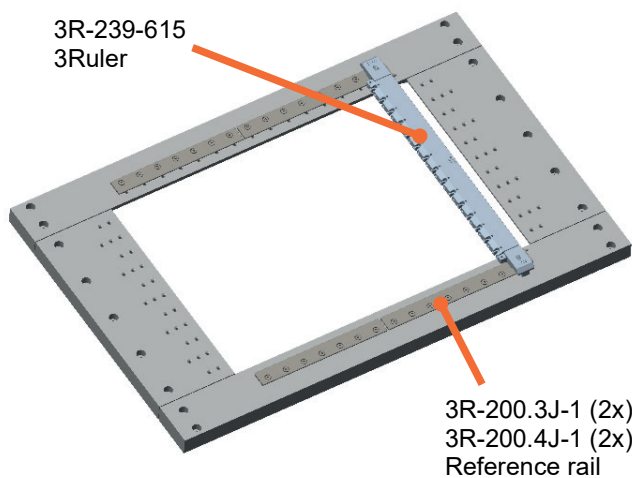
Horizontal configuration

This configuration display one 3Ruler, but two cross bars may be used.

Working area:

X: 800 mm

Y: 461 mm



Vertical configuration

This configuration display one 3Ruler, but two cross bars may be used.

Working area:

X: 712 mm

Y: 550 mm

See also TPS-sheet “3R-239-xxx” covering 3Ruler and recommended accessories.

Note: The reference rail also enables the use of other products like: 3R-218-S, 3R-243.2-1 or 3R-272HP.

System 3R

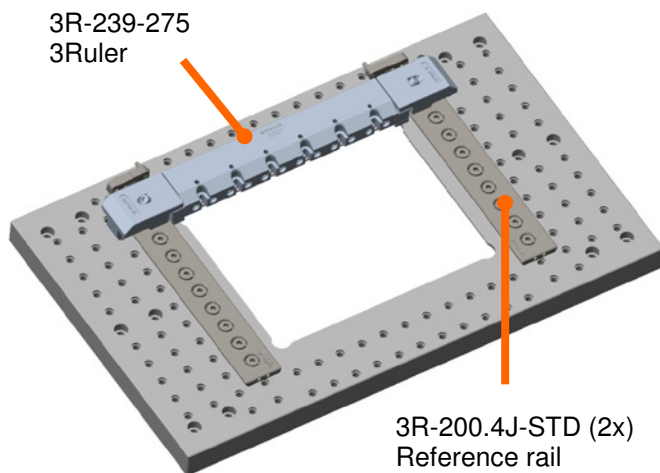
MIC – Machine Interface Configuration

November 11, 2018

Subject to modifications
MIC-2809

AgieCharmilles – CUT 1000, 1000 OilTech

Configuration of table is valid year 2011 and later.



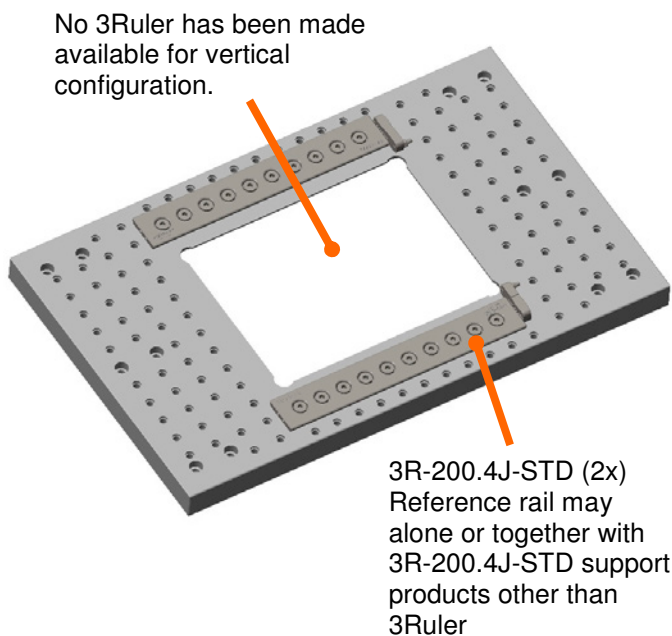
Machine table without tooling

Working area:
X: 220 mm
Y: 160 mm

Horizontal configuration

This configuration display one 3Ruler,
but two cross bars may be used.

Working area:
X: 220 mm
Y: 160 mm



Vertical configuration

This configuration display one 3Ruler,
but two cross bars may be used.

Working area:
X: 220 mm
Y: 160 mm

See also TPS-sheet “3R-239-xxx” covering
3Ruler and recommended accessories.

Note: The reference rail also enables the
use of other products like: 3R-218-S,
3R-243.2-1 or 3R-272HP.

System 3R

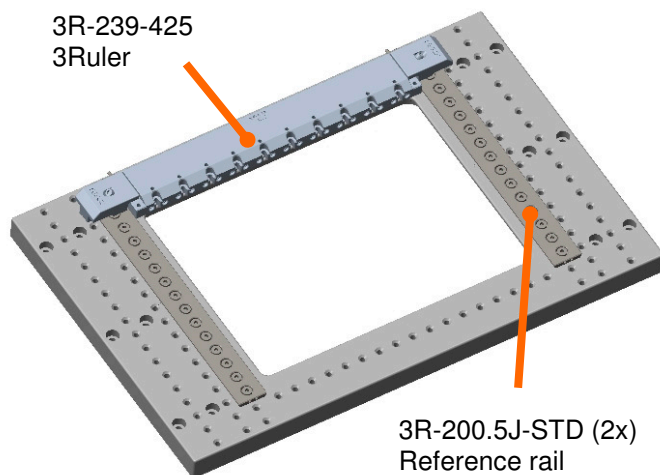
MIC – Machine Interface Configuration

November 11, 2018

Subject to modifications
MIC-2810

AgieCharmilles – CUT 2000, 2000S, 2000X, 2000 OilTech

Configuration of table is valid year 2011 and later.



Machine table without tooling

Working area:

X: 350 mm

Y: 250 mm

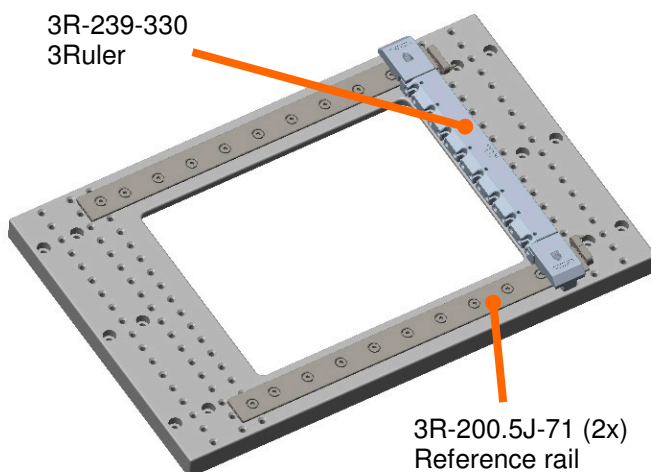
Horizontal configuration

This configuration display one 3Ruler, but two cross bars may be used.

Working area:

X: 350 mm

Y: 250 mm



Vertical configuration

This configuration display one 3Ruler, but two cross bars may be used.

Working area:

X: 350 mm

Y: 250 mm

See also TPS-sheet "3R-239-xxx" covering 3Ruler and recommended accessories.

Note: The reference rail also enables the use of other products like: 3R-218-S, 3R-243.2-1 or 3R-272HP.

System 3R

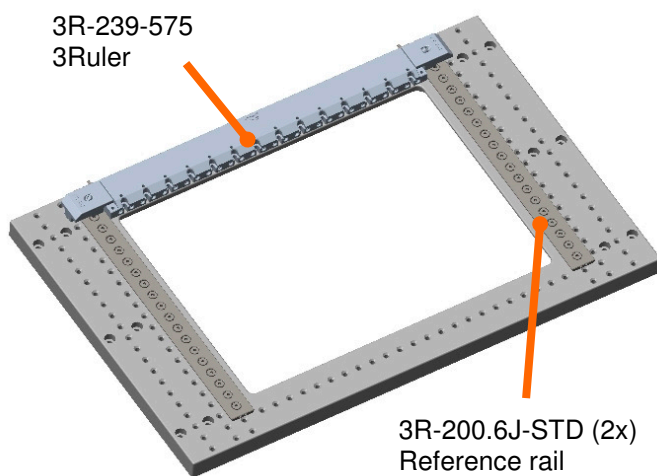
MIC – Machine Interface Configuration

November 11, 2018

Subject to modifications
MIC-2811

AgieCharmilles – CUT 3000, 3000S, 3000X, 3000 OilTech

Configuration of table is valid year 2011 and later.



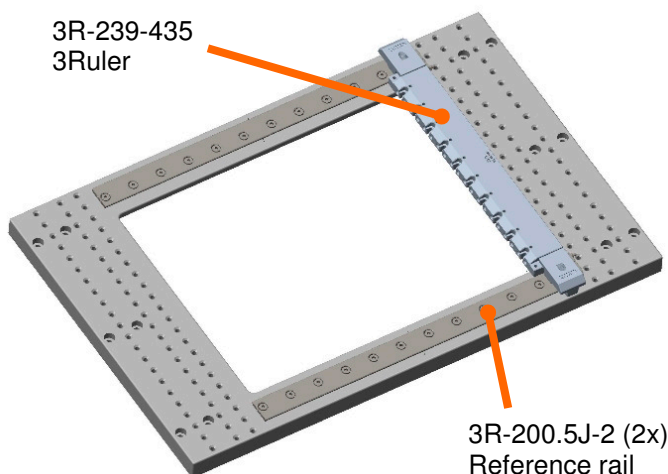
Machine table without tooling

Working area:
X: 500 mm
Y: 350 mm

Horizontal configuration

This configuration display one 3Ruler, but two cross bars may be used.

Working area:
X: 500 mm
Y: 350 mm



Vertical configuration

This configuration display one 3Ruler, but two cross bars may be used.

Working area:
X: 475 mm
Y: 350 mm

See also TPS-sheet "3R-239-xxx" covering 3Ruler and recommended accessories.

Note: The reference rail also enables the use of other products like: 3R-218-S, 3R-243.2-1 or 3R-272HP.

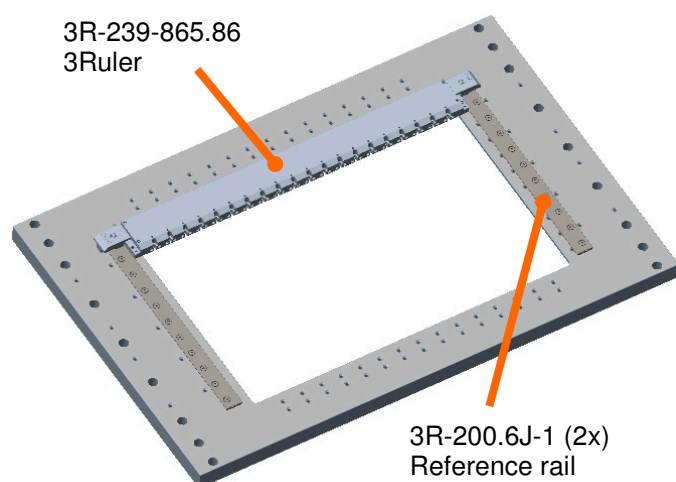
System 3R

MIC – Machine Interface Configuration

November 11, 2018

Subject to modifications
MIC-2804

AgieCharmilles – CUT P800, P800 L



Machine table without tooling

Working area:

X: 800 mm

Y: 550 mm

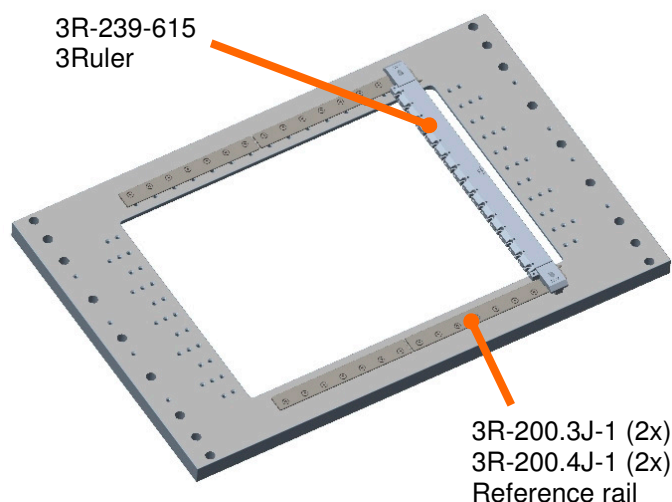
Horizontal configuration

This configuration display one 3Ruler, but two cross bars may be used.

Working area:

X: 800 mm

Y: 461 mm



Vertical configuration

This configuration display one 3Ruler, but two cross bars may be used.

Working area:

X: 712 mm

Y: 550 mm

See also TPS-sheet "3R-239-xxx" covering 3Ruler and recommended accessories.

Note: The reference rail also enables the use of other products like: 3R-218-S, 3R-243.2-1 or 3R-272HP.

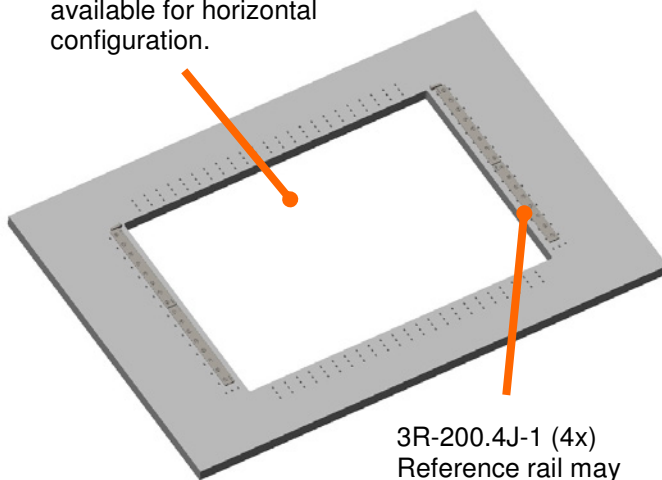
MIC – Machine Interface Configuration

November 11, 2018

Subject to modifications
MIC-2805

AgieCharmilles – CUT P1250

No 3Ruler has been made available for horizontal configuration.



Machine table without tooling

Working area:
X: 1250 mm
Y: 850 mm

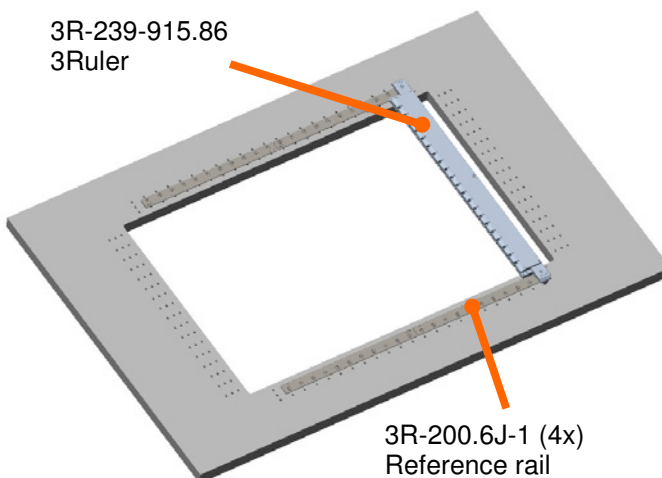
Horizontal configuration

There is no 3Ruler made available for horizontal configuration.

Working area:
X: 1250 mm
Y: 850 mm

3R-200.4J-1 (4x)
Reference rail may alone or together with 3R-200.6J-1 support products other than 3Ruler

3R-239-915.86
3Ruler



Vertical configuration

This configuration display one 3Ruler, but two cross bars may be used.

Working area:
X: 1111 mm
Y: 850 mm

3R-200.6J-1 (4x)
Reference rail
NOTE: All rails are mounted 180° in order to close distance.

See also TPS-sheet "3R-239-xxx" covering 3Ruler and recommended accessories.

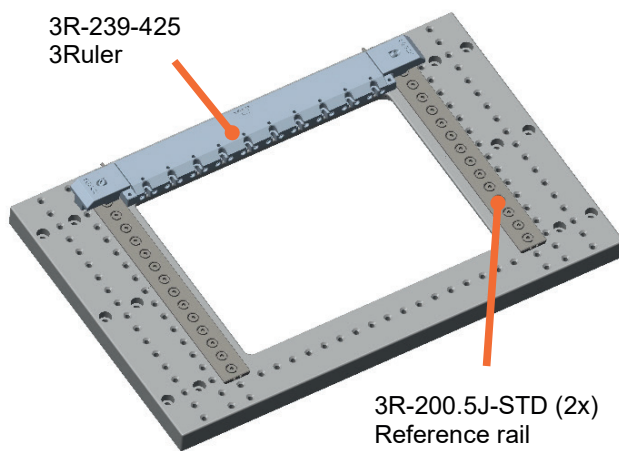
Note: The reference rail also enables the use of other products like: 3R-218-S, 3R-243.2-1 or 3R-272HP.

MIC – Machine Interface Configuration

May 17, 2021

Subject to modifications
MIC-2951

AgieCharmilles – CUT X 350



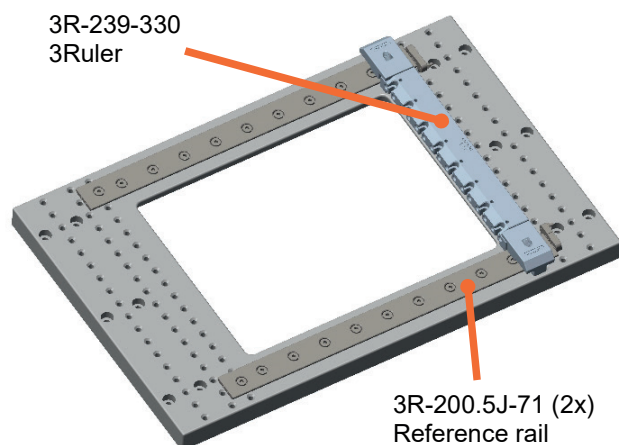
Machine table without tooling

Working area:
X: 350 mm
Y: 250 mm

Horizontal configuration

This configuration display one 3Ruler, but two cross bars may be used.

Working area:
X: 350 mm
Y: 250 mm



Vertical configuration

This configuration display one 3Ruler, but two cross bars may be used.

Working area:
X: 350 mm
Y: 250 mm

See also TPS-sheet “3R-239-xxx” covering 3Ruler and recommended accessories.

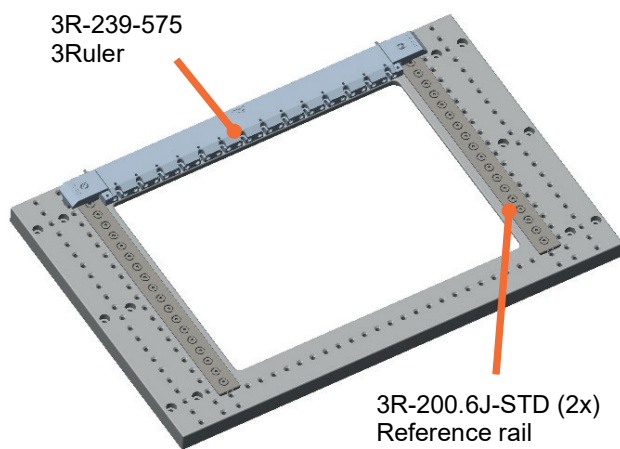
Note: The reference rail also enables the use of other products like: 3R-218-S, 3R-243.2-1 or 3R-272HP.

MIC – Machine Interface Configuration

May 17, 2021

Subject to modifications
MIC-2952

AgieCharmilles – CUT X 500



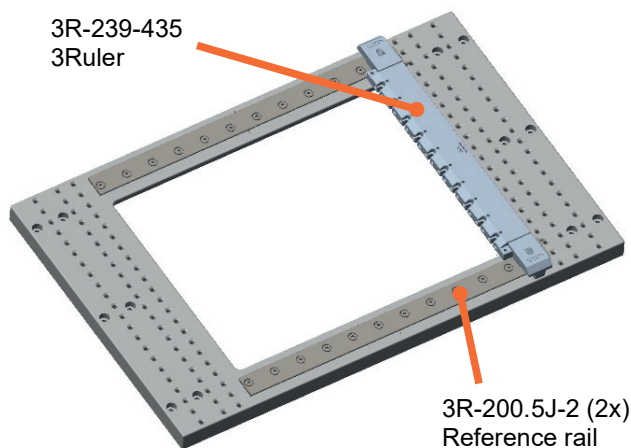
Machine table without tooling

Working area:
X: 500 mm
Y: 350 mm

Horizontal configuration

This configuration display one 3Ruler, but two cross bars may be used.

Working area:
X: 500 mm
Y: 350 mm



Vertical configuration

This configuration display one 3Ruler, but two cross bars may be used.

Working area:
X: 475 mm
Y: 350 mm

See also TPS-sheet "3R-239-xxx" covering 3Ruler and recommended accessories.

Note: The reference rail also enables the use of other products like: 3R-218-S, 3R-243.2-1 or 3R-272HP.

